

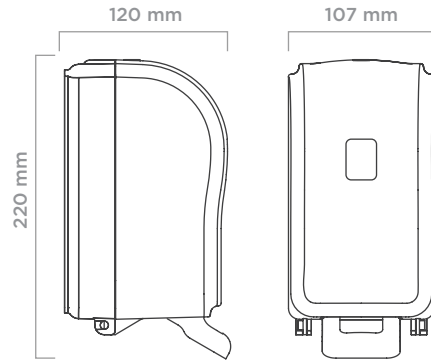


optima line

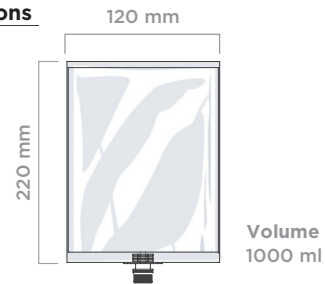
manual soap dispenser (cartridge)



dimensions



cartridge dimensions



Type	Manual (cartridge)
Item No	930601 (foam pump) 930602 (liquid pump)
Colour	White or Black
Plastic Material	ABS
Mounting Type	Wall mount
Packaging Dimensions (mm)	135 (l) x 135 (w) x 245 (h)
Gross Weight (kg)	0,55
Net Weight (kg)	0,45
Dispensing amount (ml)	0,40 (foam pump) 1,25 (liquid pump)
Cartridge Volume (ml)	1000
Case Quantity (pcs.)	1



(UK) PrimeSource, PO BOX 15247, Birmingham, B23 3HN, UK
 (IE) PrimeSource, Unit D9, Horizon Logistics Park, Co. Dublin, Ireland K67 N4T2
 Email: info@prime-source.co.uk

PRISTINE® is a registered trademark of Bunzl UK Ltd